

**NEW →** Surface mounted-Light out of 316L stainless steel**4.0314****DESCRIPTION**

- Protection system IP67
- Made entirely of marine grade 316L stainless steel
- conical light, locking on the bottom
- Reflector made of high-purity aluminium, symmetrical/asymmetrical
- Temperature-resistant silicon seal
- Toughened safety glass (ESG)
- sideways Cable gland PG 16/21, nickel-plated brass
- POW-LED-Platine temperatur control (NTC)
- fitted ballast device at HIT-CRI
- ballast device not included at POW-LED and QR-CBC51 (order separately)
- Supplied without light source and without cable
- QR-CB51 with light source, without cable
- POW-LED with light source and cable

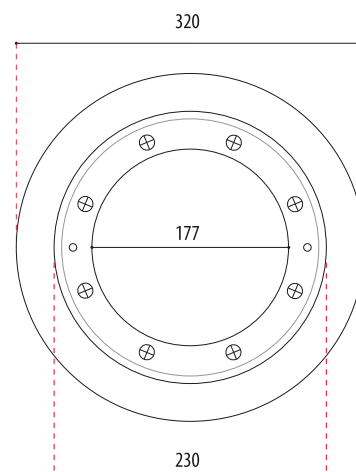
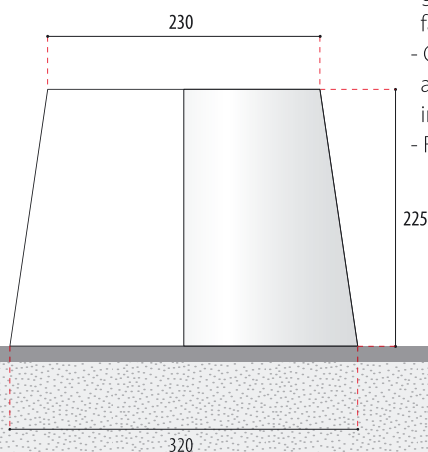
Projecteur conique, serrage au fond

**APPLICATION**

- Flexible lighting for varied applications including lighting of building facades, green areas and parks, outdoor facilities and many more.
- Can be used as a bollard light and in situations where a ground installation is not possible.
- For temporary installations (non-stationary).

**ACCESSORIES & POWER SUPPLIES**  
see page 139 and 179+**OPTIONS ON REQUEST**

- Coloured HIT light sources available
- Protection system IP68 (fully ready for operation with light source and cables)
- Special brass covers
- Cable gland on side possible
- 12 V-DC version available



Article number	Lamps	Wattage	Tension	Socket	Temperature	Radation angle	No. >205
Symmetric reflector, clear tempered glass lens							
4.0314.10.35	HIT-CRI	35W	230V	G12	<75°C	19°	I31
4.0314.10.70	HIT-CRI	70W	230V	G12	110°C	19°	I33
Asymmetric reflector, frosted glass							
4.0314.11.35	HIT-CRI	35W	230V	G12	<75°C	40°	I41
4.0314.11.70	HIT-CRI	70W	230V	G12	110°C	40°	I43
POW-LED 12 V-DC							
4.0314.14.75	QR-CBC51	75W	12V-AC	GU5,3	120°C	36°	C52
<b>installation housing</b>							
4.0314.15.01	36 POW-LED cold white <input type="checkbox"/>	total 43 W (5040 lm)	350 mA	Klemme	<55°C	30°	V73
4.0314.15.02	36 POW-LED warm white <input type="checkbox"/>	total 43 W (3600 lm)	350 mA	Klemme	<55°C	30°	
4.0314.15.03	36 POW-LED neutral white <input type="checkbox"/>	total 43 W (3960 lm)	350 mA	Klemme	<55°C	30°	
4.0314.15.09	36 POW-LED RGB <input type="checkbox"/>	all on 43 W	350 mA	Klemme	<55°C	30°	

Surface mounted-Light out of 316L stainless steel ← **NEW****4.0314**

	5.0635.00.36 Power supply – for max. 3 x 12 POW-LED 350 mA, IP65 – see page 180																			
	5.0635.09.50 RGB-Controller – for max. 36 POW-LED RGB, 350 mA, IP65 – see page 182																			
	5.0100.00.00 Transformer – 2 x 50 W, 100 VA, 12 V-AC – see page 185																			
	4.0003.01.00 anti-glare louver – black, for symm. and asymm. Reflector																			
	4.0003.02.00 anti-glare louver – black, for adjustable Reflector																			
	4.0004.00.00 double cable gland – PG16/21, brass																			
	4.0230.01.00 glass disc, frosted – for softer light distribution (light loss approx. +15%)																			
	4.0231.02.00 rippled glass – with antiskid coating																			
	4.0230.04.00 colour disk – yellow																			
	4.0230.05.00 colour disk – red																			
	4.0230.06.00 colour disk – blue																			
	4.0230.07.00 colour disk – green																			
	4.0232.04.00 colour filter, dichroitic – yellow																			
	4.0232.05.00 colour filter, dichroitic – red																			
	4.0232.06.00 colour filter, dichroitic – blue																			
	4.0232.07.00 colour filter, dichroitic – green																			
Spotlight ↓	Power supplies			Accessories																
4.0314.10.35				●			●	●	●	●	●	●								
4.0314.10.70				●			●	●	●	●	●	●								
4.0314.11.35				●			●	●	●	●	●	●								
4.0314.11.70				●			●	●	●	●	●	●								
4.0314.14.75			●		●		●	●	●	●	●	●	●	●	●	●	●	●	●	●
4.0314.15.01	●			●			●	●	●	●	●	●								
4.0314.15.02	●			●			●	●	●	●	●	●								
4.0314.15.03	●			●			●	●	●	●	●	●								
4.0314.15.09		●		●			●	●	●	●	●	●								