

NEW → Surface mounted-Light out of 316L stainless steel**4.0073****DESCRIPTION**

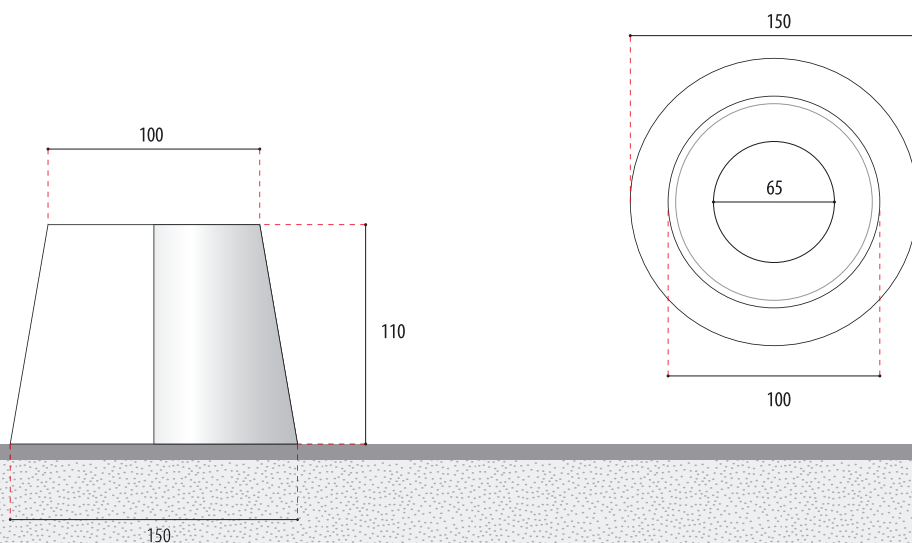
- Spotlight, entirely made of V4A stainless steel 1.4571
 - Protection class IP67
 - conical light, locking on the bottom
 - with 3 x POW-LED cold white (6000 K), neutral white (4500 K), warm white (3000 K), blue
 - with 3 x POW-LED RGB
 - with low voltage halogen QR-CB51 ES 20 W/35 W/12 V-AC
 - 360° pivotable and +/-15° adjustable
 - Rotationally symmetric light distribution with POW LED white 10° and 30° and RGB 10° and 30° and for low-voltage halogen 36°
 - Cable screw fixture M16
 - Supplied with lamp and 3m of underwater cable
 - Constant-current power source/RGB controller/external transformer
- Projecteurs conique, serrage au fond

APPLICATION

- For lighting and accentuating exterior, such as façades, buildings, trees and open spaces.
- Can be used as a small bollard light and in situations where a ground installation is not possible.
- For temporary installations (non-stationary).

ACCESSORIES & POWER SUPPLIES
see page 124 and 179+**OPTIONS ON REQUEST**

- POW-LED with beam angle spot 10°, medium 30°, medium flood 45°, flood 90° and elliptical 15x40°
- POW-LED monochrome, single colour in green, red, amber, turquoise
- Halogen OR-CB51 lamps possible in various beam angles – 10°, 24°, 36°, 60° – and various colours – blue, yellow, green, magenta, orange, red
- Matt glass lens for softer light distribution (light loss approx. -15%)
- Anti-glare grid
- 230 V version



Surface mounted-Light out of 316L stainless steel ← **NEW****4.0073**

schwarz-photo.com

Iglototel, Arvidsjaur, Sweden

Article number	Lamps	Light colour	Wattage (TLF)	Tension	Temperature	Radation angle	
POW-LED, Radation Angle 10°(spot)							
4.0073.00.01	3 POW-LED cold white 	6.000 K	total 5 W (420 lm)	350 mA	<40°C	10° spot	V32
4.0073.00.02	3 POW-LED warm white 	3.000 K	total 5 W (330 lm)	350 mA	<40°C	10° spot	
4.0073.00.03	3 POW-LED neutral white 	4.500 K	total 5 W (375 lm)	350 mA	<40°C	10° spot	
4.0073.00.06	3 POW-LED blue 		total 5 W (400 mW/LED)	350 mA	<40°C	10° spot	
4.0073.00.09	3 POW-LED RGB 		all on 5 W	350 mA	<40°C	10° spot	
POW-LED, Radation Angle 30° (medium)							
4.0073.00.11	3 POW-LED cold white 	6.000 K	total 5 W (420 lm)	350 mA	<40°C	30° medium	V33
4.0073.00.12	3 POW-LED warm white 	3.000 K	total 5 W (330 lm)	350 mA	<40°C	30° medium	
4.0073.00.13	3 POW-LED neutral white 	4.500 K	total 5 W (375 lm)	350 mA	<40°C	30° medium	
4.0073.00.16	3 POW-LED blue 		total 5 W (400 mW/LED)	350 mA	<40°C	30° medium	
4.0073.00.19	3 POW-LED RGB 		all on 5 W	350 mA	<40°C	30° medium	
halogen							
4.0073.00.20	QR-CBC51 (IRC)	3.000K	20W 1.000cd	12V-AC	80°	36°	C63
4.0073.00.35	QR-CBC51 (IRC)	3.000K	35W 2.200cd	12V-AC	90°	36°	C73

Ground mounted-Light

power supplies & Accessories – 4.0061 · 4.0071 · 4.0073

	5.0635.65.03 Power supply – for max. 3 POW-LED 350 mA, IP65 – see page 180	5.0635.65.10 Power supply – for max. 6 POW-LED 350 mA, IP65 – see page 180	5.0635.65.20 Power supply – for max. 12 POW-LED 350 mA, IP65 – see page 180	5.0635.09.16 RGB-Controller – for max. 12 POW-LED RGB, 350 mA, IP65 – see page 182	5.0635.09.50 RGB-Controller – for max. 36 POW-LED RGB, 350 mA, IP65 – see page 182	5.0098.00.00 Transformer – 1 x 50 W, 50 VA, 12 V-AC – see page 185	5.0100.00.00 Transformer – 2 x 50 W, 100 VA, 12 V-AC – see page 185	4.0071.00.20 glass disc, frosted – for softer light distribution (light loss approx. -15%)	4.0071.00.50 anti-glare louver – black	4.0003.01.50 anti-glare louver	4.0004.00.11 double cable gland – PG11, brass	4.0060.01.00 glass disc, frosted – for softer light distribution (light loss approx. -15%)	4.0061.04.95 Installation housing out of aluminium – height 130 mm	Installation housing out of aluminium – height 115 mm	4.0061.14.95 Installation housing out of aluminium – height 130 mm	7.0060.04.00 coloured lamps – yellow	7.0060.05.00 coloured lamps – red	7.0060.06.00 coloured lamps – blue	7.0060.07.00 coloured lamps – green
Spotlight ↓	Power supplies							Accessories											
4.0061.14-24-44.01	●	●	●								●	●	●	●					
4.0061.14-24-44.02	●	●	●								●	●	●	●	●				
4.0061.14-24-44.03	●	●	●								●	●	●	●	●				
4.0061.14-24-44.04	●	●	●								●	●	●	●	●				
4.0061.14-24-44.05	●	●	●								●	●	●	●	●				
4.0061.14-24-44.06	●	●	●								●	●	●	●	●				
4.0061.14-24-44.07	●	●	●								●	●	●	●	●				
4.0061.14-24-44.09				●							●	●	●	●	●				
4.0061.14-24-44.20						●	●			●	●	●	●	●	●	●	●	●	●
4.0061.14-24-44.35						●	●			●	●	●	●	●	●	●	●	●	●
4.0061.14-24-44.50						●	●			●	●	●	●	●	●	●	●	●	●
4.0061.14-24-44.51											●	●	●	●	●				
4.0071.20-40.01	●	●	●					●	●										
4.0071.20-40.02	●	●	●					●	●										
4.0071.20-40.03	●	●	●					●	●										
4.0071.20-40.06	●	●	●					●	●										
4.0071.20-40.09				●	●														
4.0071.20-40.11	●	●	●					●	●										
4.0071.20-40.12	●	●	●					●	●										
4.0071.20-40.13	●	●	●					●	●										
4.0071.20-40.16	●	●	●					●	●										
4.0071.20-40.19				●	●			●	●										
4.0071.20-40.20						●	●	●	●										
4.0071.20-40.35						●	●	●	●										
4.0073.00.01	●	●	●					●	●										
4.0073.00.02	●	●	●					●	●										
4.0073.00.03	●	●	●					●	●										
4.0073.00.06	●	●	●					●	●										
4.0073.00.09				●	●			●	●										
4.0073.00.11	●	●	●					●	●										
4.0073.00.12	●	●	●					●	●										
4.0073.00.13	●	●	●					●	●										
4.0073.00.16	●	●	●					●	●										
4.0073.00.19				●	●			●	●										
4.0073.00.20						●	●	●	●										
4.0073.00.35						●	●	●	●										